



Analog mammography unit from FUJIFILM, the world's first supplier of CR system, offers excellent imaging quality and smooth workflow

# AMULET *FELICIA*

FUJIFILM Analog Mammography



**FCR PRIMA *Tm***

- Space-Saving Design
- High-Speed Processing
- High-Quality Mammography Images



Capsula X-L II

# AMULET FELICIA, a most effective step towards digital mammography in combination with FCR

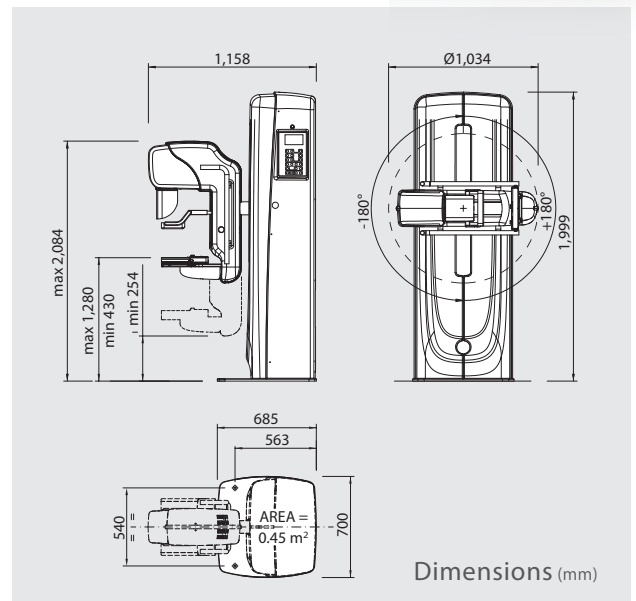
The optimal solution consisting of FCR with 50µm resolution and analog mammography unit



Compact	Cost efficient	User friendly
<ul style="list-style-type: none"> <li>• Small size and foot print</li> </ul>	<ul style="list-style-type: none"> <li>• Economical</li> <li>• Stable</li> </ul>	<ul style="list-style-type: none"> <li>• Sensitive temp control unnecessary</li> <li>• Easy operation</li> </ul>

## AMULET FELICIA specifications

Target/Filter	Mo/Mo, Mo/Rh(optional), W/Rh(optional)
Cassette Size	18x24, 24x30(optional)
SID	65cm
Dimensions(DxWxH)	1158 x 1034(max) x 1999 mm 1158 x 700(min) x 1999 mm
Weight	286kg
Nominal power	4.2 kW
Conditions	Temp +10 to +40 deg(Operating) Temp -20 to +70 deg(Storage and delivery)



## Main options

- 24x30 system
- Magnification table
- Compression paddle for Mag
- Compression paddle for Spot
- Compression paddle for 2D biopsy

The appearance and specifications may be subject to change.  
Please contact your sales representative for the details of regulatory information.

## FCR Mammography system solution

IP Cassette	Type CH	DRY Imager	DRYPIX Smart/Plus	Mammography Viewer	Bellus/IBellus II
<p>24 x 30 cm 18 x 24 cm</p>	<p>24 x 30 cm cassette mounted with the cassette adapter</p>				

# FUJIFILM

FUJIFILM Corporation

26-30, NISHIAZABU 2-CHOME, MINATO-KU, TOKYO 106-8620, JAPAN  
<http://www.fujifilm.com/products/medical/>